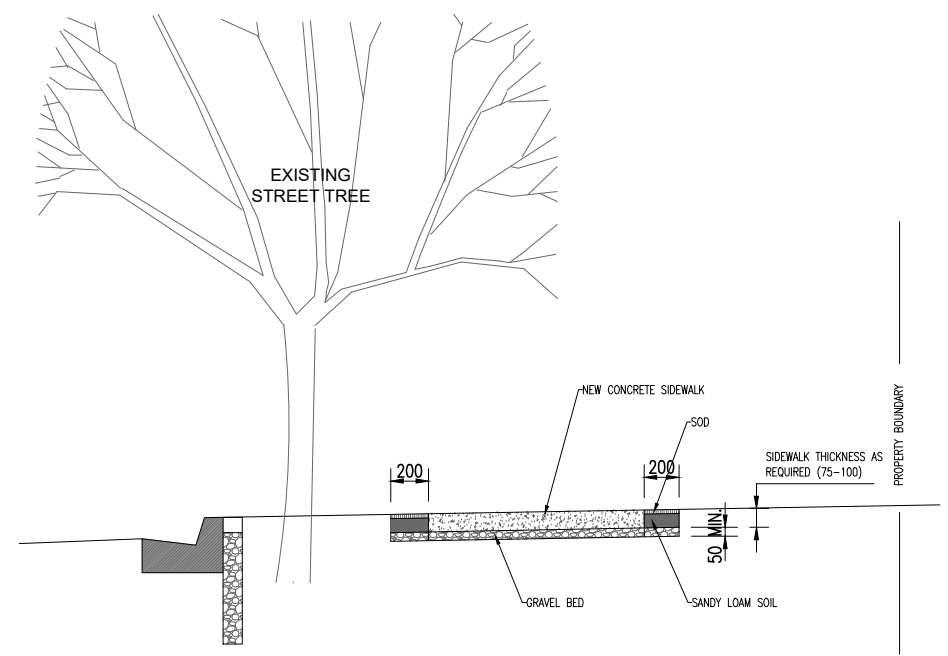
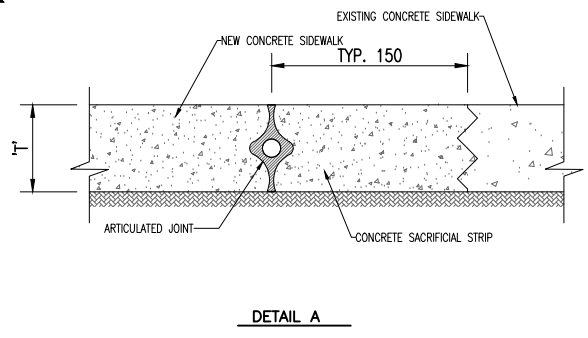
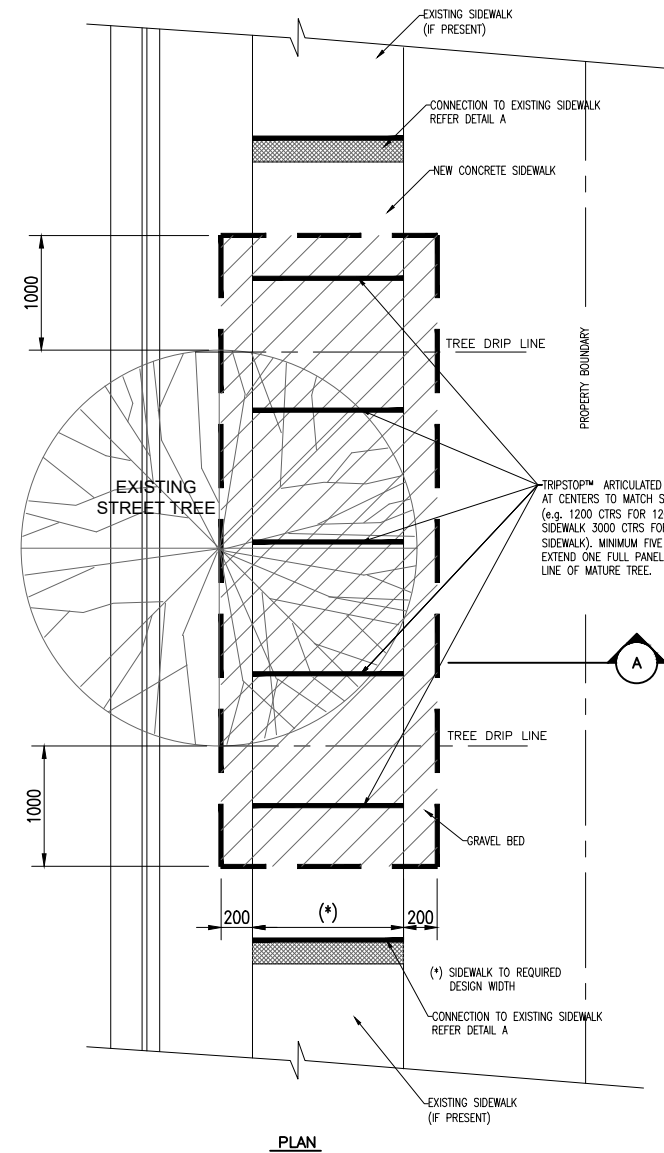


TRIPSTOP TREE & SOIL SOLUTION



- NOTE:
1. FOR DETERMINATION OF SITES FOR THE USE OF THE TRIPSTOP™ ARTICULATED JOINT SYSTEM, REFER "GUIDELINES FOR THE USE OF ARTICULATED SYSTEMS FOR CONCRETE SIDEWALK".
 2. GRAVEL BED TO EXTEND MINIMUM 1000mm PAST DRIP-LINE OF TREE AND MINIMUM 200mm EITHER SIDE OF SIDEWALK. GRAVEL BED INSTALLED TO ALLOW EASE OF ROOT TRAVEL BELOW CONCRETE SIDEWALK.
 3. TRIPSTOP ARTICULATED JOINT SYSTEM AT CENTERS TO MATCH SIDEWALK WIDTH (e.g. 1200 CTRS FOR 1200 WIDE SIDEWALK, 3000 CTRS FOR 3000 WIDE SIDEWALK). MINIMUM FIVE JOINTS OR EXTEND ONE FULL PANEL PAST DRIP-LINE OF MATURE TREE.
 4. FOR LOCATIONS WITH EXISTING STREET TREES, ARBORIST TO BE CONSULTED TO CHECK ROOT SYSTEM BEFORE INSTALLATION OF SIDEWALK. ROOT TRIMMING OR PRUNING IS ONLY TO BE CONSIDERED AS A LAST OPTION.
 5. MATERIAL FOR GRAVEL BED TO BE NOMINAL 5mm ROUNDED STONE/ GRAVEL, UNIFORMLY GRADED.
 6. REFER www.kinesik.ca
 7. ALL DIMENSIONS IN MILLIMETERS (U.N.O.)



© KINESIK ENGINEERED PRODUCTS INC.
 PATENTS PENDING IN THE USA, CANADA AND INTERNATIONALLY. MANUFACTURED AND DISTRIBUTED BY KINESIK ENGINEERED PRODUCTS INC.

MATERIAL LIST

ITEM	DESCRIPTION	PART NO.	QTY

REFERENCE DRAWINGS

DWG. NO.	DESCRIPTION

No.	DATE	REVISION	APPR.

SCALE
 1"=1'-0" U.N.O.
 FULL SIZE ONLY

DESIGNED	KES	DATE	02/22/2017
DRAWN	MT	DATE	02/22/2017
DRAWN	KES	DATE	02/22/2017

TOLERANCE
 ± 0.06" / 1.524mm

PART NO.
 SEE MATERIAL LIST

MATERIAL
 ENGINEERED POLYMER COMPOSITE

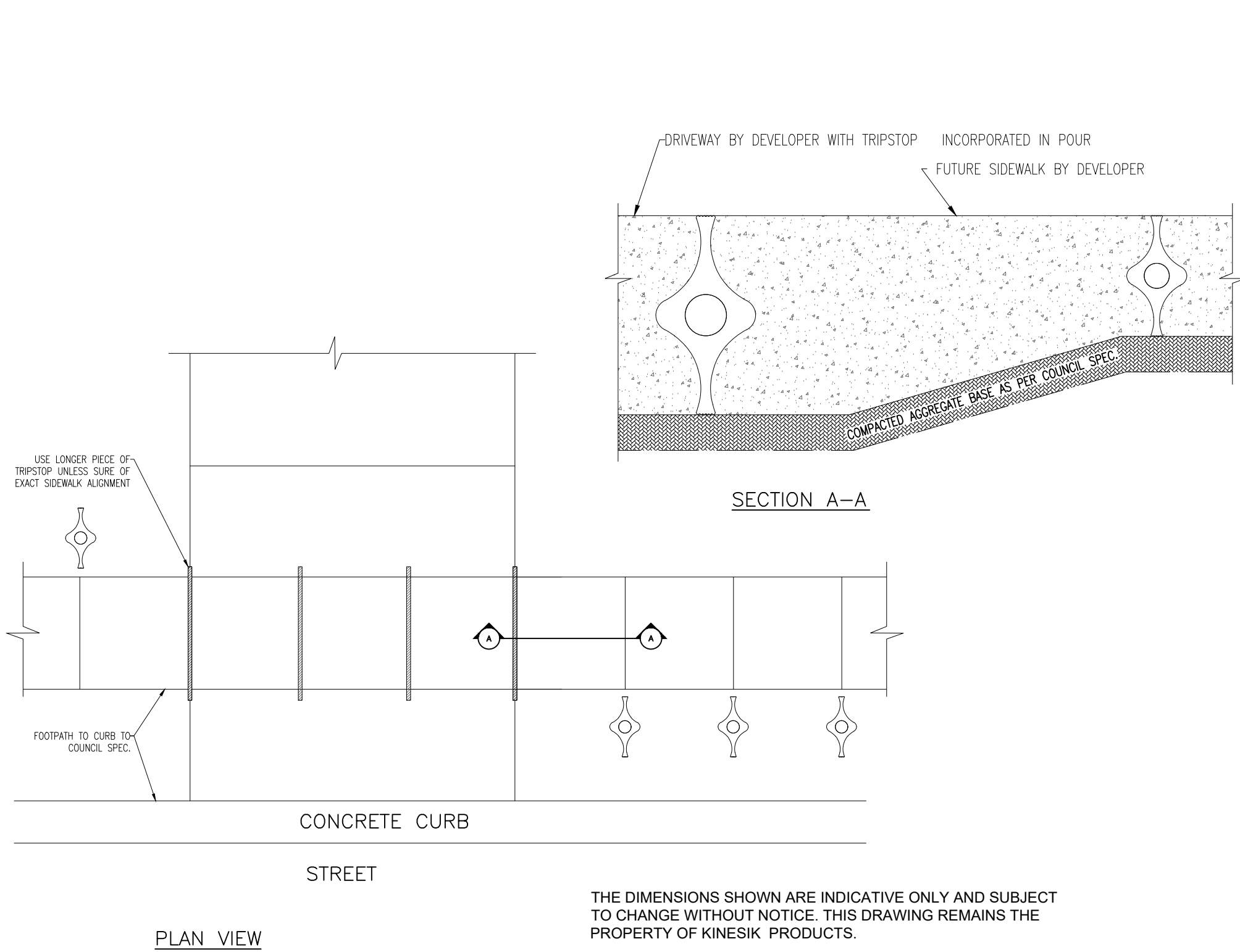
TRIPSTOP
 Articulating Sidewalk Joint System

SUBJECT
 SIDEWALK JOINT SYSTEM
 INSTALLATION AND PRODUCT DETAILS

DRAWING NO.
 TS-IG

REV. NO.
 0

TRIPSTOP TREE & SOIL SOLUTION



THE DIMENSIONS SHOWN ARE INDICATIVE ONLY AND SUBJECT TO CHANGE WITHOUT NOTICE. THIS DRAWING REMAINS THE PROPERTY OF KINESIK PRODUCTS.



KINESIK
ENGINEERED PRODUCTS
www.kinesik.ca

© KINESIK ENGINEERED PRODUCTS INC.
PATENTS PENDING IN THE USA, CANADA AND INTERNATIONALLY. MANUFACTURED AND DISTRIBUTED BY KINESIK ENGINEERED PRODUCTS INC.

MATERIAL LIST

ITEM	DESCRIPTION	PART NO.	QTY

REFERENCE DRAWINGS

DWG. NO.	DESCRIPTION

No.	DATE	REVISION	APPR.

SCALE 1"=1'-0" U.N.O. FULL SIZE ONLY

DESIGNED	KES	DATE	02/22/2017
DRAWN	MT		02/22/2017
DRAWN	KES		02/22/2017

TOLERANCE ± 0.06" / 1.524mm PART NO. SEE MATERIAL LIST

MATERIAL ENGINEERED POLYMER COMPOSITE

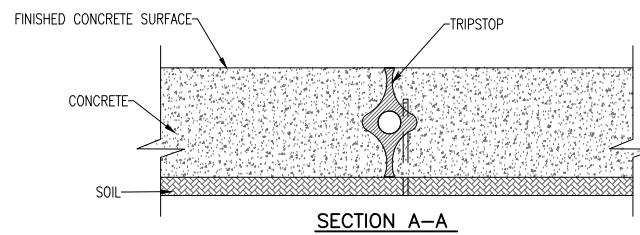
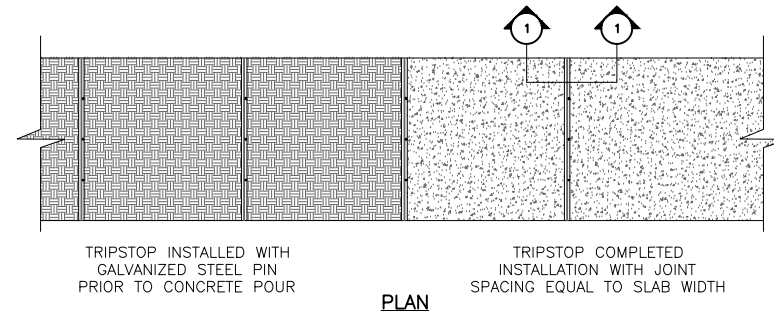
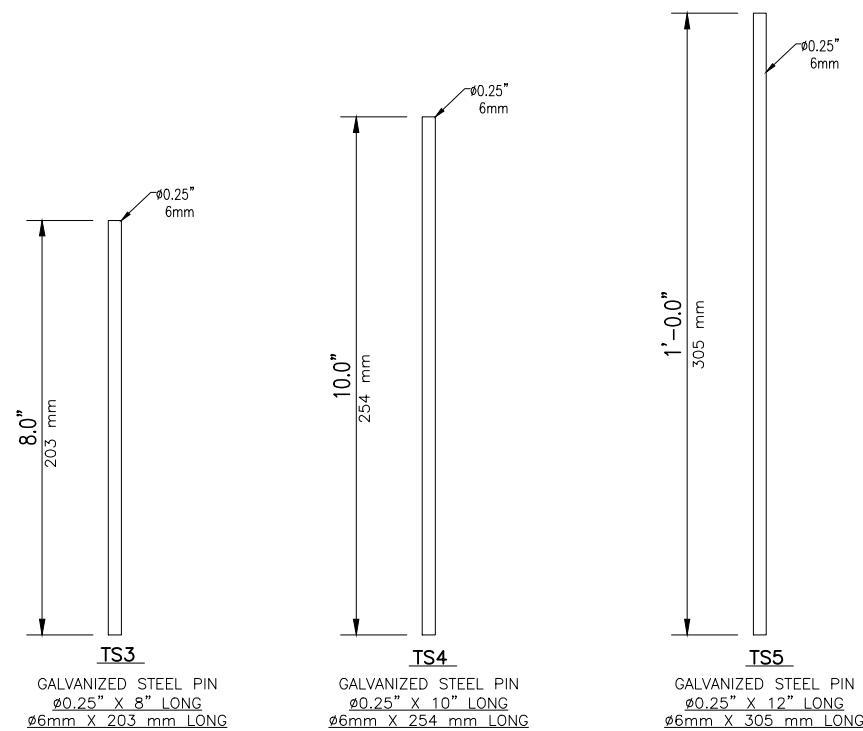
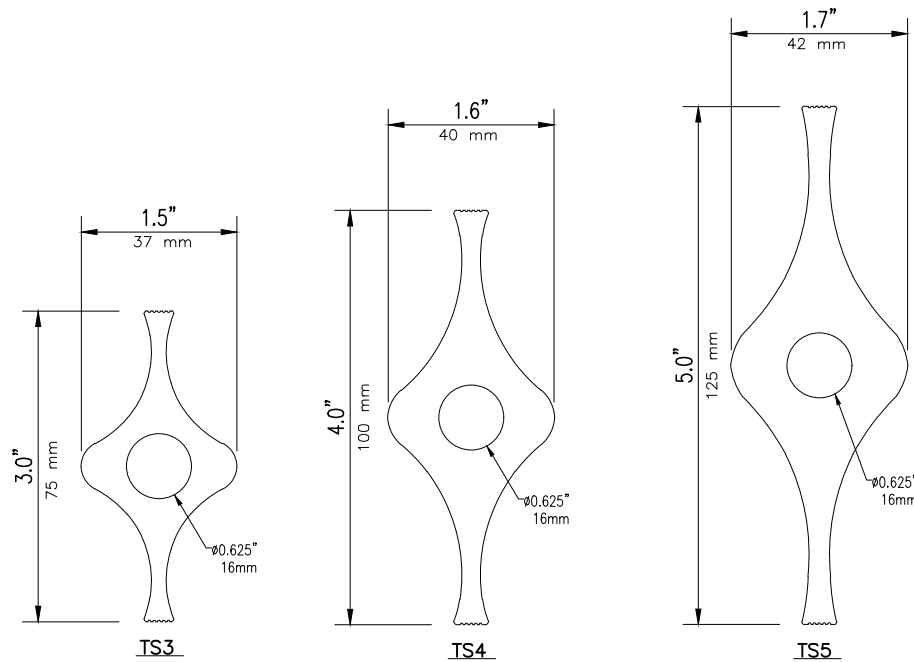


Articulating Sidewalk Joint System

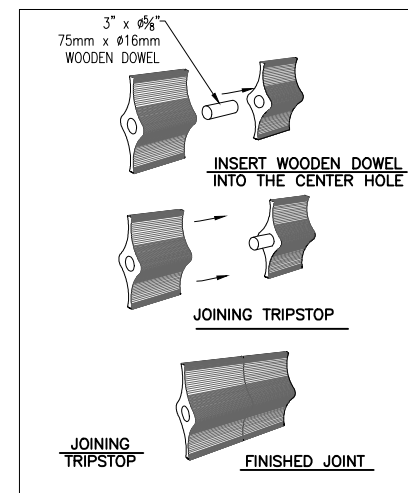
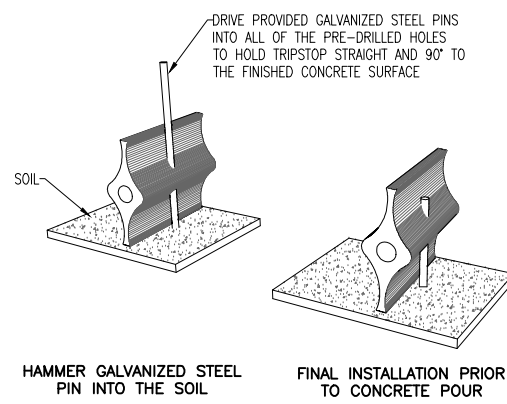
SUBJECT
SIDEWALK JOINT SYSTEM
INSTALLATION AND PRODUCT DETAILS

DRAWING NO. TS DF01	REV. NO. 0
------------------------	---------------

TRIPSTOP TREE & SOIL SOLUTION



TRIPSTOP PART NUMBER	TRIPSTOP DIMENSION H x L	GALVANIZED STEEL PIN PART NUMBER	GALVANIZED STEEL PIN SIZE & QUANTITY	SIDEWALK SLAB DIMENSION H x L x W
TS3-4	3" x 48"	TSP3	8" x 3 PINS	3" x 48" x 48"
TS3-5	3" x 60"	TSP3	203mm x 3 PINS	75mm x 1200mm x 1200mm
TS3-20	3" x 240"	TSP3	8" x 4 PINS	3" x 60" x 60"
TS4-4	4" x 48"	TSP4	203mm x 4 PINS	75mm x 1500mm x 1500mm
TS4-5	4" x 60"	TSP4	8" x 16 PINS	3" x CUT TO FIT
TS4-20	4" x 240"	TSP4	203mm x 16 PINS	75mm x CUT TO FIT
TS5-4	5" x 48"	TSP5	10" x 3 PINS	4" x 48" x 48"
TS5-5	5" x 60"	TSP5	254mm x 3 PINS	100mm x 1200mm x 1200mm
TS5-20	5" x 240"	TSP5	10" x 4 PINS	4" x 60" x 60"
			254mm x 4 PINS	100mm x 1500mm x 1500mm
			10" x 16 PINS	4" x CUT TO FIT
			254mm x 16 PINS	100mm x CUT TO FIT
			12" x 3 PINS	5" x 48" x 48"
			305mm x 3 PINS	125mm x 1200mm x 1200mm
			12" x 4 PINS	5" x 60" x 60"
			305mm x 4 PINS	125mm x 1500mm x 1500mm
			12" x 16 PINS	5" x CUT TO FIT
			305mm x 16 PINS	125mm x CUT TO FIT



© KINESIK ENGINEERED PRODUCTS INC.
 PATENTS PENDING IN THE USA, CANADA AND INTERNATIONALLY. MANUFACTURED AND DISTRIBUTED BY KINESIK ENGINEERED PRODUCTS INC.

MATERIAL LIST

ITEM	DESCRIPTION	PART NO.	QTY

REFERENCE DRAWINGS

DWG. NO.	DESCRIPTION

No.	DATE	REVISION	APPR.

SCALE 1"=1'-0" U.N.O. FULL SIZE ONLY

DESIGNED	KES	DATE	02/22/2017
DRAWN	MT	02/22/2017	
DRAWN	KES	02/22/2017	

TOLERANCE $\pm 0.06"$ / 1.524mm PART NO. SEE MATERIAL LIST



SUBJECT SIDEWALK JOINT SYSTEM INSTALLATION AND PRODUCT DETAILS

DRAWING NO. XX REV. NO. 0